

23.8 cu. ft. Top Freezer Refrigerator

- 23.8 cu. ft. Capacity
- Internal Water Dispenser
- Filtered Water
- Optional Ice Maker – LK75C
- Humidity-Controlled Crispers
- LED Lighting
- Contoured Doors with Pocket Handles
- Garage Ready



COLOR AVAILABILITY

- LRTLS2403S – Stainless Steel

CAPACITY

Refrigerator (cu. ft.)	17.6
Freezer (cu. ft.)	6.2
Total Capacity (cu. ft.)	23.8

ENERGY

Energy Consumption (kWh / Year)	417
ENERGY STAR® Certified	Yes

WATER & ICE SYSTEM

Ice & Water Dispenser	No
Internal Water Dispenser	Yes
Ice System	Manual Ice Tray or Optional Ice Maker
Water Filter	LT500P (NSF-Certified*)

COOLING

Compressor Type	Smart Compressor
Dual Evaporators	No
Multi-Air Flow System	Yes
Door Cooling+	No
Temperature Sensors	3
Fresh Air Filter	No

CONVENIENCE

Display Type	Membrane (Green LED)
Temperature Controls	Electronic / Digital
Door Alarm	No
Child Lock	No
Auto Closing Door Hinge	No
ADA Compliant	No
Sabbath Mode	No
LoDecibel® Quiet Operation	Yes

REFRIGERATOR

No. of Shelves	2 Full
Shelf Construction	Spill Protector™ Tempered Glass
Crisper Bins	2 Humidity Crispers
Glide N' Serve® Pantry Drawer	No
Cool Guard	No
Refrigerator Light	Ceiling LED

REFRIGERATOR DOOR

No. of Door Bins	2 Full Width (2 Gallon Sized) and 1 Dairy Bin
Door Bin Construction	1-Piece (Clear)

FREEZER

Freezer Type	Swing Door
No. of Shelves	1 Adjustable Glass Shelf
No. of Door Bins	2 Full Width (Clear)
Ice Storage	Ice Maker Optional - LK75C
Freezer Light	No
Freezer Handle	Pocket Handle

SMART FEATURES

Wi-Fi Enabled	No
ThinQ® Technology	No
SmartDiagnosis™	No

MATERIALS AND FINISHES

Hidden Hinges	No
Surface	Smooth
Fingerprint & Smudge Resistant Exterior	No
Handles	Pocket Handles

ACCESSORIES

Replacement Water Filter	LT500P
Optional Ice Maker	LK75C

TECHNICAL SPECS

Required Power Supply	115 V, 60 Hz, 15 Amp
Plug Type	3-Prong
Power Cord Location	Back
Min. / Max. Water Pressure	40–120 psi

DIMENSIONS / CLEARANCES / WEIGHTS

Depth with Handles	34"
Depth without Handles	34"
Depth without Door	29 1/2"
Depth (Total with Door Open)	63"
Height to Top of Case	68"
Height to Top of Door Hinge	69"
Width	33"
Width (Door Open 90° with Handle)	34 3/4"
Width (Door Open 90° without Handle)	34 3/4"
Door Edge Clearance with Handle	2"
Door Edge Clearance without Handle	2"
Installation Clearance	Sides 2", Top 2", Back 2"
Approx. Weight (Product / Carton)	199.5 lbs. / 216 lbs.
Carton Dimensions (W x H x D)	34 13/16" x 71 3/8" x 35 5/8"

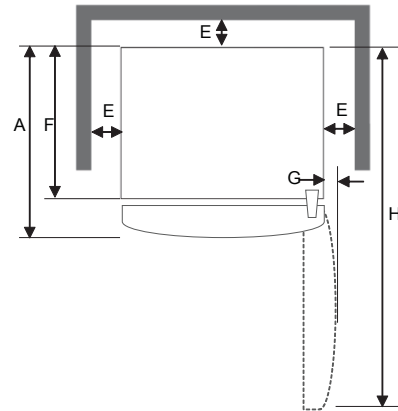
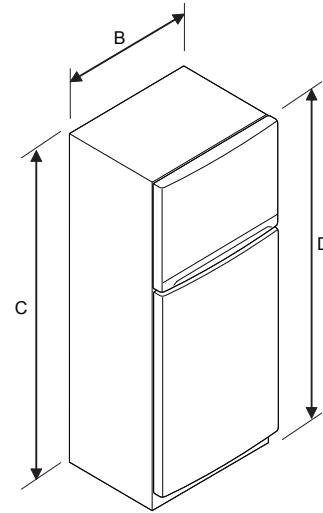
LIMITED WARRANTY

Parts & Labor	1 Year
Sealed System (Parts & Labor)	5 Years
Compressor (Parts & Labor)	5 Years
Linear / Inverter Compressor (Parts Only)	10 Years



*System tested and certified by NSF® International against NSF / ANSI Standard 42.

DIMENSIONS / CLEARANCES



DIMENSIONS / CLEARANCES

A	Depth	34" (863.6 mm)
B	Width	33" (838.2 mm)
C	Height to Top of Case	68" (1,727.2 mm)
D	Height to Top of Hinge	69" (1,752.6 mm)
E	Back, Top and Side Clearance	2" (50.8 mm)
F	Depth without Door	29.5" (749.5 mm)
G	Door Edge Clearance (Door Open 90°)	2" (50.8 mm)
H	Depth (Total with Door Open 90°)	63" (1,600.2 mm)

INSTALLATION NOTES

- The installation location chosen for the refrigerator should allow space behind the unit for connections and airflow and space in front to open the doors and drawers.
- Too small of a distance from adjacent items may result in lowered freezing capability and increased electricity consumption charges. Allow at least 34 inches (863.6mm) in front of the refrigerator to open the doors, and at least 2 inches (50.8mm) between the back of the refrigerator and the wall.